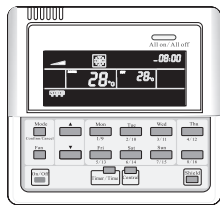


- Standard built-in drain pump with an increased reach of 1000 mm height.
- Special low noise fan design.
- Different swing angle design for cooling and heating mode for better comfort.
- Wireless remote control.
- Wall control (optional).
- Only 2 interconnecting wires.

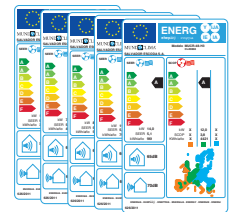


Optional  
CL 98 047



## SUPER<sup>DC</sup> INVERTER

ENERGETIC EFFICIENCY CLASS "A+++"



**3D** DC inverter  
DC fan motor indoor  
DC fan motor outdoor  
30% efficiency increased

**2C** Comfortable  
Convenient

**2E** Efficiency  
Energy-saving

**8°C heating control**  
Maintain the room temperature steadily at 8°C and prevent the room from freezing by heating operation when nobody is at home for long in severe weather.

**2 ambient sensor**  
Indoor ambient temperature can be sensed more accurately.

**3 sleep modes**  
Common, Default, User-defined  
**Mode 1:** Indoor temperature automatically rises (when cooling) or drops (when heating).  
**Mode 2:** Featuring unique function, the temperature is automatically adjusted to be a little lower before you wake up.  
**Mode 3:** You could program your own sleep curve under DIY mode.

**Smart zone controller**  
Possibility to control several units simultaneously from only one remote controller. The smart zone controller can directly control up to 16 indoor units (optional)

**7 fan speeds**  
From Super low to Turbo, choose desired fan speed.

**Turbo Operation**  
With this function, the air conditioner will maximize the output of cooling or heating capacity, make the room cool down or heat up rapidly, and attain the desired temperature in the shortest time.

**Low Ambient Cooling**  
The air conditioner with a special built-in Low Ambient Kit can be used in temperature as low as -15°C for cooling and heating operation.

**Memory /Auto-restart function**  
If the air conditioner breaks off unexpectedly due to the power cut, it will restart with the previous function setting automatically when the power resumes.

**Low temperature dehumidity**  
It works under the dehumidification mode even if the temperature is lower than 12°C

**Filter "DustProof"**  
Eliminate formaldehyde and other volatile organic compounds (VOCs) as well as harmful gases and odors.

**H Gate card system**  
Available at a preset port in PCB for the gate card system to be set and connected to this port and work with this function.

**2 Wired controllers for 1 unit**  
Wall or remote control (optional)

**0.33W Standby**  
Intelligent on-off technology enables products automatically enter energy-saving mode when standby, cut energy consumption from normal 4-5W to 0.33W which counts 90% of Memory /Auto-restart saving.

**Timer function**  
The timer can be set to start and stop at any point in a 24-hour period.

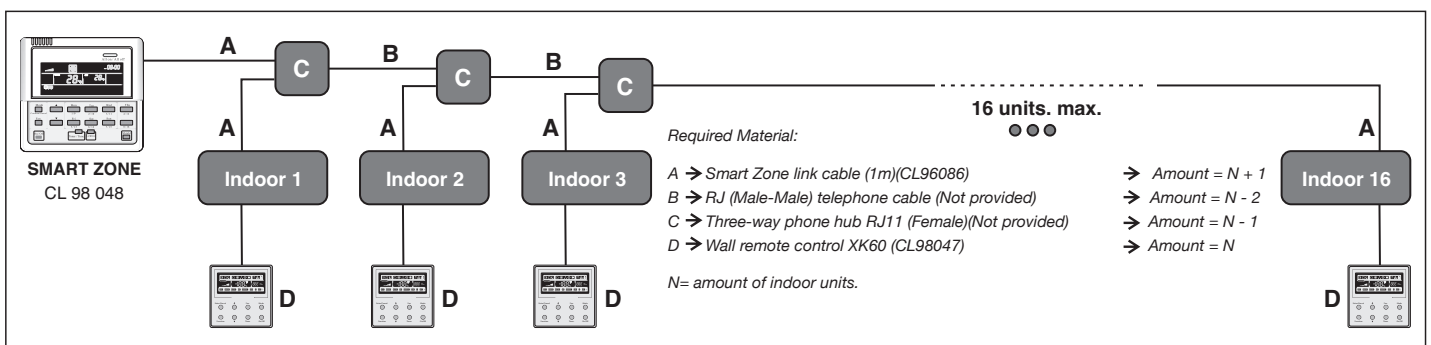
**Trouble shooting**  
Error codes are displayed on the indoor panel and wall control.

**High efficiency digital PFC control**  
1% efficiency increased

**180°C Sine wave inverter technology**  
Energy saving

MODEL		MBCCS18	MBCCS24	MBCCS36	MBCCS48
Cooling capacity	Btu/Hr	18000	24000	36000	47000
Cool - Pdesignnc	kW	5.3	7.0	10.5	14.0
Cool - SEER	W/W	6.1	6.1	6.1	5.6
Cool - Energy Efficiency Class		A++	A++	A++	A+
Input	W	1035	1745	3010	4270
Rated Current	A	7.32	8.65	13.50	12.00
Heating capacity	Btu/Hr	19000	24000	38000	53000
Heat - Pdesignh	kW	5.0	5.6	10.8	11.6
Heat - SCOP	W/W	5.1	5.1	5.1	5.1
Heat - Energy Efficiency Class		A+++	A+++	A+++	A+++
Power supply Id	V-Ph-Hz	220~240-1-50	220~240-1-50	220~240-1-50	220~240-1-50
Power supply Od	V-Ph-Hz	220~240-1-50	220~240-1-50	220~240-1-50	380~415-3-50
Standby rating	W	1.0	1.0	1.0	1.0
<b>INDOOR UNIT</b>					
Air flow volume	m3/h	1000/800/700	1450/1250/1100	1900/1750/1460	1850/1600/1400
Noise pres. Level	dB(A)	46/41/37	46/42/39	56/52/48	55/51/48
Dimension (WxDxH) (body)	mm	840x840x205	840x840x245	840x840x245	840x840x287
Dimension (WxDxH) (panel)	mm	950x950x55	950x950x55	950x950x55	950x950x55
Net weight (body)	Kg	21.4	24.0	25.0	28.0
Net weight (panel)	Kg	5.0	5.0	5.0	5.0
Drain Pipe Dia	mm	ODΦ32	ODΦ32	ODΦ32	ODΦ32
<b>OUTDOOR UNIT</b>					
Air Flow volume	m3/h	2200.0	2700.0	5000.0	7000.0
Noise pres. level	dB(A)	53.0	63.0	63.0	66.0
Dimension (WxDxH)	mm	810x310x558	845x320x700	945x395x810	938x392x1369
Net weight	Kg	38.0	48.0	69.3	97.1
Outer Diameter Connection Pipe	mm	Φ6.35/Φ12.7	Φ9.52/Φ15.9	Φ9.52/Φ15.9	Φ9.52/Φ15.9
	inch	1/4"/1/2"	3/8"/5/8"	3/8"/5/8"	3/8"/5/8"
Refrigerant	Type	R410A	R410A	R410A	R410A
Refrig. Charge	Kg	1.83	1.95	3.65	3.80

\* The above design and specifications are subject to change of product improvement without prior notice.



### DATA PREINSTALLATION

MODEL	Unit	Supply			Interconnect.
		Phases	Indoor A	Outdoor B	Control C
MBCCS-18-H3	IND/OUT	SINGLE/SINGLE	3x1	3x1.5	2x0.75
MBCCS-24-H3	IND/OUT	SINGLE/SINGLE	3x1	3x2.5	2x0.75
MBCCS-36-H3	IND/OUT	SINGLE/SINGLE	3x1	3x2.5	2x0.75
MBCCS-48-H3	IND/OUT	SINGLE/THREE	3x1	3x2.5	2x0.75

### MAXIMUM HEIGHT OF INSTALLATION (m)

MODEL	Tube		Max. Distance		Additional charge (g/m)	Precharge up to (m)
	Gas	Liquid	A	B		
MBCCS-18-H3	1/2	1/4	20	30	30	7.5
MBCCS-24-H3	5/8	3/8	25	50	60	7.5
MBCCS-36-H3	5/8	3/8	30	65	60	7.5
MBCCS-48-H3	5/8	3/8	30	65	60	9.5

